



Main application

- Packaging
- Extrusion
- Thermoforming
- Injection moulding
- Textile
- Multizone furnaces

Main features

4 independent loop control unit.
Compact, ready to use, equipped also with fieldbus interface.

Unit consisting of:

- Controller
- 30, 60, 80kW solid state relay
- Current transformers (one or four)
- Fuses-holder (option)
- 4 universal main inputs
- 4 heat/cool independent PID
- 4 main output internally wired to the SSR
- 4 auxiliary analog inputs (option)
- 4 configurable output (option): relay / logic / TRIAC / continuous
- 2 configurable relay alarm output
- 2 digital inputs
- Standard digital communication: Modbus RTU
- Optional Fieldbus communication: Profibus DP, CANopen, DeviceNet, Modbus RTU, Ethernet Modbus TCP, Ethernet IP, EtherCAT, ProfiNET
- DIN rail or panel mounting
- Conformities CE, UL, CSA and SCCR UL 508 100 KA conformant.

PROFILE

GFX4 is a four independent loop controller, designed to manage electrical power. GFX4 is a compact unit bounding different technological elements like:

- controller
- solid state relay
- current transformers
- fuses-holders (option)

The final result is a cost saving in terms of space and cabling.

GFX4 consisting of:

- power management unit
- analog and digital inputs,
- analog and digital outputs
- standard digital communication
- integrated solid state relays
- fuses-holder (option)

Geflex controls autonomously the four loop controllers, furnishing a complete diagnostics like the loaded current, the control of the zones, the alarms state.

A specific step by step software tool has been develop in order to assist the product configuration based on the different applications.

Communication with the outside is of primary importance.

Geflex dialogs with the operator terminals according to the most popular protocols: from the simple and efficient Modbus to, by a second optional fieldbus communi-

cation, the by-now indispensable Profibus DP, CANopen, DeviceNet, Modbus RTU, Ethernet Modbus TCP, Ethernet IP, EtherCAT, ProfiNET.

The product's furnished with a standard configuration, simple and quickly to modify.

The assignment of different functions to the outputs is very simple.

MODELS

(see table in order code)

3 different sizes, depending on the electric power managed, are available.

GFX4 80

Maximum contemporaneous power up to 80kW@480V.

Each zone could reach up to 19,2 kW.

This limit could be extend to 23,7 kW using the "smart power management" (not all the zone contemporaneous).

Nominal current 40A for zone, not contemporary maximum 57A

GFX4 60

Maximum contemporaneous power up to 60kW@480V.

Each zone could reach up to 15,3 kW.

Nominal current 32A for zone

Fuse holder could be provide as an option.

GFX4 30

Maximum contemporaneous power up to 30kW@480V.

Each zone could reach up to 7,6 kW.

Nominal current 16A for zone

Fuse holder could be provide as an option.

INPUTS

Process analogue

4 universal process input could accept: thermocouple, thermoresistance, current and tension linear.

The type could be choose by software and no external converting device are required.

Digital

2 digital input.

The functionality could be selected within a wide range including setpoint selection, MAN/AUTO, alarm memory reset and many other.

Incorporated CT

From 1 to 4 CT control each zone and the relative alarm control is start up (HB..).

Auxiliary analogue (option)

4 further analogue inputs are available, typically for external current transformer reading.

OUTPUTS

Output alarms configurable via software.

Heating control

For each zone an heating control internally connected to power unit is present, then no further connections needed between power unit and controller.

Cooling control (option)

For each zone a cooling control is present 4 types of outputs are available: relay, logic, triac, continuous. A current transformer is furnished with TRIAC output.

Alarms

Two relay output configurable as minimum and maximum alarm are available for each unit.

LEDs

Eight monitoring led are available in order to provide diagnostic information.

RN

RUN stet of the CPU

ER

Error

DI1

DI1 digital input state

DI2

DI2 digital input state

O1

Outupt 1 state

O2

Outupt 2 state

O3

Outupt 3 state

O4

Outupt 4 state

By default a different meaning is applica- ble.

POWER

Power is controlled with double SCR in anti-parallel, zero crossing switching prin- ciple, with configurable proportional cycle time.

Different load connection are available: monophase, dualphases, three-phases.

SHORT CIRCUIT PROTECTION

Products listed in table "UL508 SCCR FUSES TABLE " are suitable for use on a circuit capable of delivering not more than 100,000 A rms Symmetrical Amperes, 480 Volts maximum when protected by fuses. Use fuses only

According to UL508, test at 100.000A were carried out with class J fuses or RK5 rated xxxA (refer to table "SCCR fuse pro- tection table" to details of the current size fuses for the fuse).

After a shortcircuit the functioning of the device is not guaranteed.

After a short circuit the operation of the device is not guaranteed. To guarantee the functioning of the device after the short circuit, it is recommend the use of extra rapid fuses as in table "EXTRARAPID FUSES".

ATTENTION: The opening of the branch-circuit protective device may be an indication that a fault has been interrupted. To reduce the risk of fire or electric shock, current-carrying parts and other components of the device should be examined and replaced if damaged. If burnout of the device occurs, the complete device must be replaced or equivalent.

FUSES (OPTION)

The fuses are orderable on the GFX4 30KW and 60kW model.

Thanks to this, you save time, wiring is simplified, and dimensions in the panel are reduced.

PROGRAMMING

The Geflex modules can be programmed:

- using GFX-OP
- using Winstrum tool software
- using Industrial PC or PLC.

FUNCTIONS

Control

The Geflex control algorithm works with any type of thermal process.

Different control modes are available: from a simple ON/OFF control to PID single or double acting heat/cool (for cooling, simply indicate the fluid used).

Sophisticated and efficient automatic tuning algorithms for control parameters provide precise process control without the presence of an operator.

Alarms

There are 8 alarm assignable to each single canal or to all (AND / OR logic) and configurable as absolute, relative, direct, reverse, window, latching or not, inhibit at power-on.

Diagnostics

Geflex assures efficient process moni- toring from a thermal and electrical point of view, allowing the operator to foresee bre- akdowns or malfunctions and take timely action (for example, in case the tempe- rature safety limit is exceeded, broken probe, load fault).

The LBA alarm precisely checks the con- trol loop, while the on-board current tran- sformer (one always present, four availa- ble in option) lets you directly monitor load and trip the HB alarm in case of current failure or SSR in short circuit.

Detection of short circuit or opening of input probe, open loop alarm (LBA), inter- rupted load alarm (HB).

Over temperature alarm

The software can be used to define the state of alarm outputs or a preset power level to be supplied in case of broken probe.

This assures continuity of service in the individual zone.

Tuning

- Self-tuning: calculation of PID parameters at system art.
- Auto-tuning continuous: continuous adjustment of PID
- Autotuning one-shot: output modulation and event-driven automatic PID param- eters re-calculation

Special functions

- Soft-start: power parcellization time- based
- Software Off: disabling of the control, outputs are turned off
- Inputs\outputs: direct management of inputs/outputs, independently from inter- nal firmware
- Simulation of four independent Geflex units.

STANDARD DIGITAL COMMUNICATION

The product is furnished with standard digital communication [PORT 1] used as GFX4 connection to a HMI or Industrial PC.

Also by a dedicated connector (10 pins) it's possible to connect the actual range of Geflex.

A second standard digital communication (PORT 2) configurable by most popular protocol:
 CANopen
 DeviceNet
 Profibus DP
 Modbus RTU
 Ethernet Modbus TCP
 Ethernet IP,
 EtherCAT,

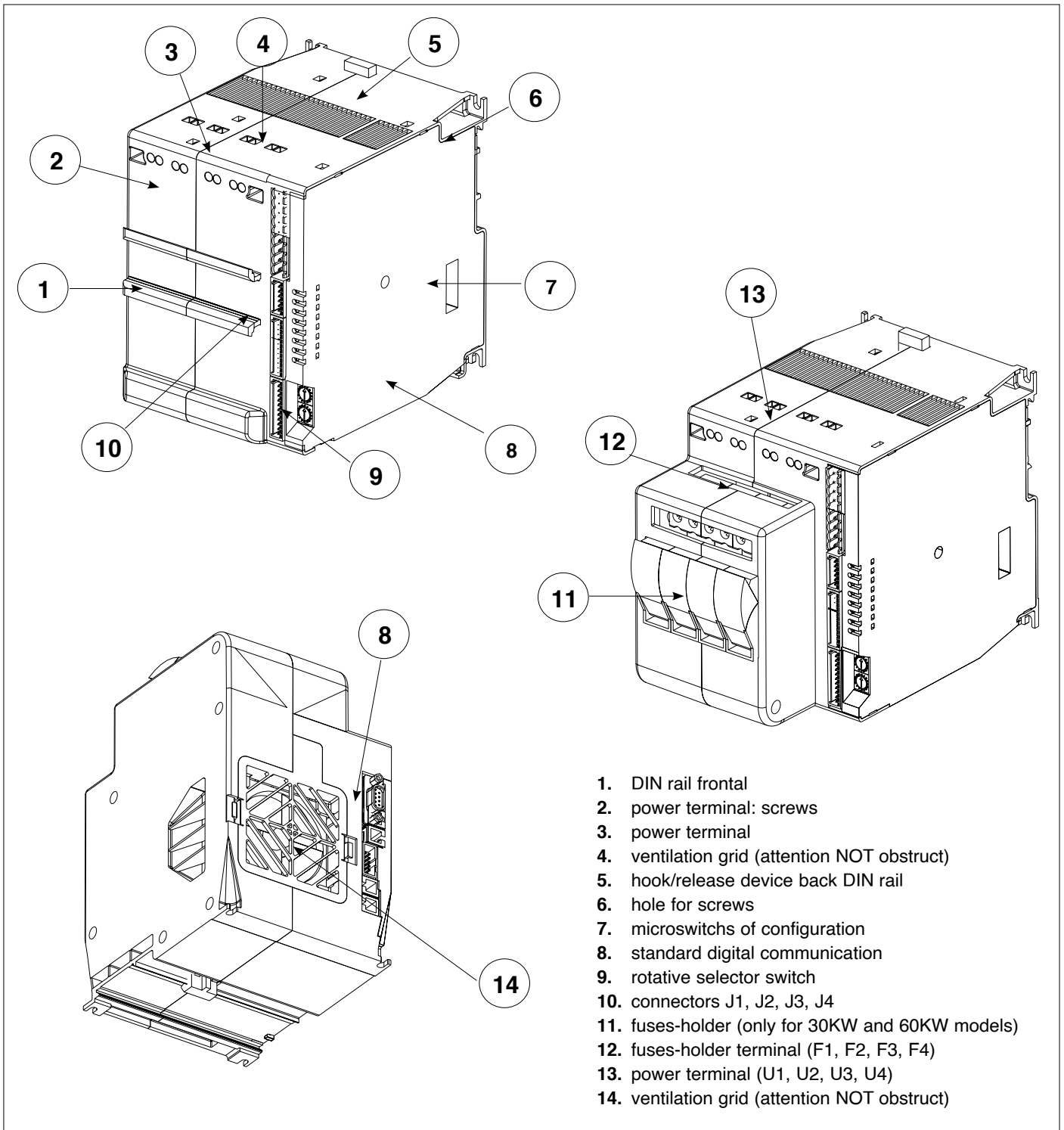
Profinet

is available as option.

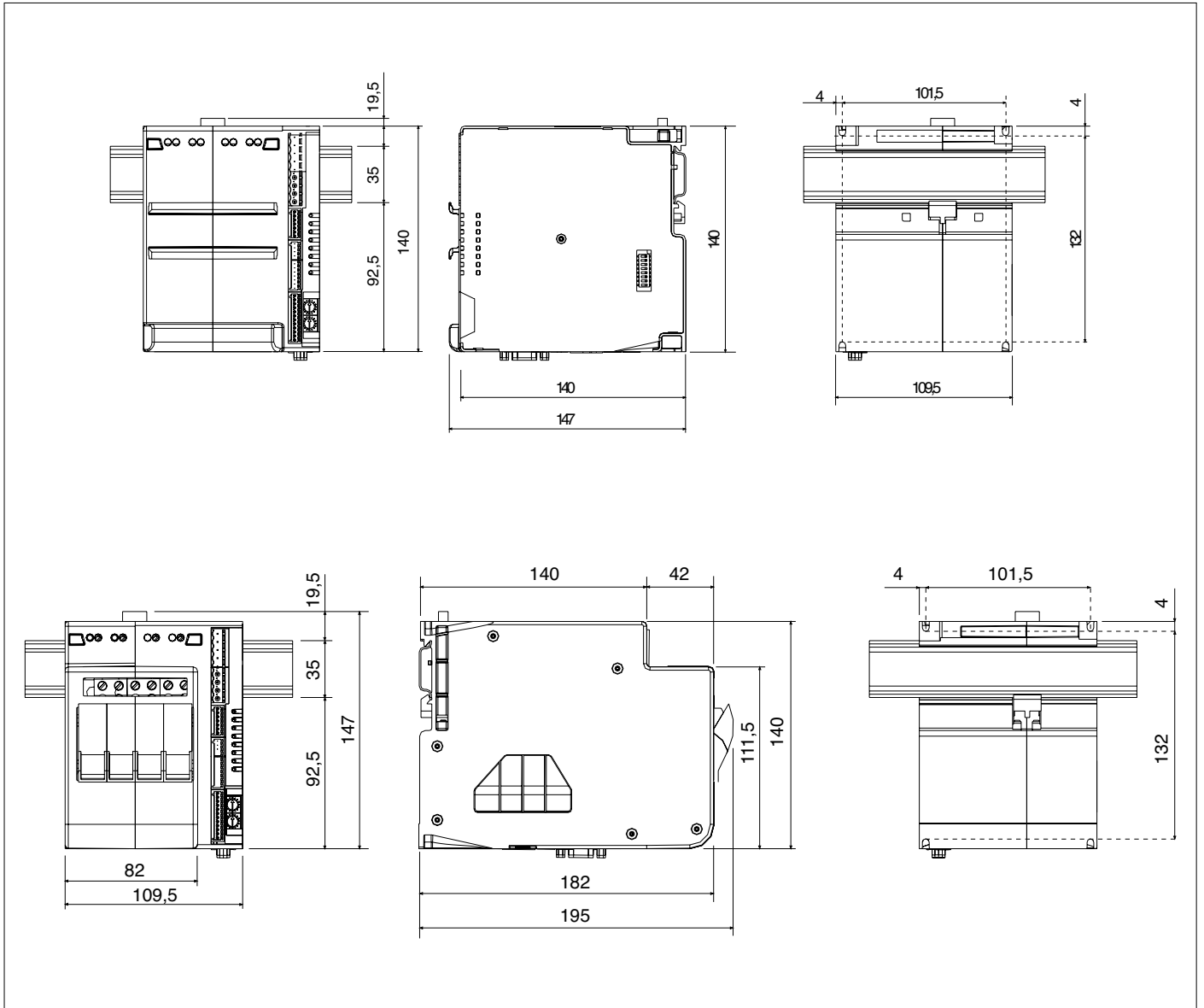
Net address

Assigned by two rotative selectors.

GENERAL DESCRIPTION



DIMENSIONS - INSTALLATION



TECHNICAL DATA

INPUTS

IN1...IN4 [process analog inputs]

Connector: J4

Function

default process variable (configurable)

Sampling time

120msec the four inputs

Accuracy

0,2% FS \pm 1 steps at 25°C. (16000 points)

Thermal drift

0,005% FS/°C

Type

• Thermocouples ITS90:

J, K, R, S, T, custom (IEC584-1, CEI EN 60584-1, 60584-2).

Internal cold junction compensation with automatic compensation.

Selectable temperature range: °C/°F

• Thermoresistance: Pt100 DIN 43760

Max. resistance 20 Ω

Selectable temperature range: °C/°F

• Voltage: range 0/12...60mV, Ri > 1M Ω
0/0,2...1V, Ri > 1M Ω custom 60mV at 32 sections

• Current: range 0/4...20mA, Ri = 50 Ω
custom 20mA at 32 sections

IN5...IN8 [auxiliary analogue inputs]

Connector: J3

Function

default analog inputs reading

Sampling time

480msec for TC, voltage

Accuracy

1% FS \pm 1 steps at 25°C.

Type

• Thermocouple ITS90:

J, K, R, S, T, custom (IEC584-1, CEI EN 60584-1, 60584-2).

Internal cold junction compensation with automatic compensation.

• Voltage:

range 0/12...60mV, Ri > 1M Ω

IN9...IN12 [internal CT input]

Connector: internal connection

Function

default internal CT reading

Sampling time

60msec for CT

Accuracy

1% FS \pm 1 steps at 25°C.

Type

internal CT: 50mAac, 50/60Hz, Ri = 10 Ω

DI1, DI2 [digital inputs]

Connector: J2

Function

default not enable (configurable)

Type

PNP, 24Vdc, 8mA (isol. 3500V)

OUTPUTS

OUT 1...4 [heating control]

outputs connected to solid state relay

Function

default heating control (configurable)

OUT 5...8 [cooling control]

Connector: J1

Function

default cooling control (configurable)

Type

• Relay: NO, max 3A, 250V/30Vdc, $\cos\phi = 1$, resistive load

• Logic: 24Vdc, 35mA

• Continuous:

• voltage: 0/2...10V, \pm 10V, max 25mA
short circuit protection

• current: 0/4...20mA, 500 Ω max

• insulation: 3500V

• Triac: 230V/4Amp AC51

(1A for four)

(2A for two)

OUT 9...10 [alarms]

Connector: J1a/J1

Function

default alarms (configurable)

Type

Relay: NO, max 5A, /30Vdc, $\cos\phi = 1$

LEDs

RN RUN state of the CPU

ER.....error

DI1 DI1 digital input state

DI2 DI2 digital input state

O1 Out.1 main input state

O2 Out.2 main input state

O3 Out.3 main input state

O4 Out.4 main input state

COMMUNICATION PORTS

PORT 1 [local bus]

Connectors: S1 / S2 / S3

Function: local bus

Protocol: Modbus RTU

Baud Rate: 19,2Kbps (default)

setting 1,2...57,6Kbps

Node address: setting by double rotative selector

Connector S1 / S2: 2xRJ114/4, RS485 2

wires insul. 1500V

Connector S3: 10 pins for flat cable

SERIAL 2 [fieldbus]

Connectors: S4 / S5

Function external fieldbus

Protocol

Modbus RTU _____ 57,6Kbps

CANopen _____ 10K...1Mbps

Profibus DP _____ 9,6...12Mbps

DeviceNet _____ 125K...500Kbps

Ethernet Modbus TCP,

Ethernet IP _____ 10/100Mbps

EtherCAT _____ 100Mbps

ProfiNET _____ 100Mbps

See accessories

MICROSWITCHES

8 dip switches are available to select wiring mode and different functionalities.

POWER

SSR [integrated power element]

Rated voltage: 480Vac

Work voltage range: 24...530Vac

Non-repetitive voltage: 1200Vp

Switching voltage for zero: < 20V

Rated frequency: 50/60Hz (self-adjusting)

Rated current AC51

GFX-4 30kW: 16Amp

GFX-4 60kW: 32Amp

GFX-4 80kW: 57Amp

Non-repetitive overcurrent [t=20msec]

GFX-4 30kW: 400A

GFX-4 60kW: 600A

GFX-4 80kW: 1150A

I²t for melt [t=1...10msec]

GFX-4 30kW: 645A²s

GFX-4 60kW: 1010A²s

GFX-4 80kW: 6600A²s

Dv/dt critical with deactivated output:

1000V/ μ sec

Rated insulation voltage In/Out: 4000V

GENERAL FEATURES

Power supply:

24Vdc \pm 25%, max 8VA

Protection class: IP20

Working temperature range: 0...50°C

(see dissipation curves)

Storage temperature range: -20...+70°C

Relative humidity: 20...85%

UR non-condensing

Installation: EN50022 DIN rail or panel by screw

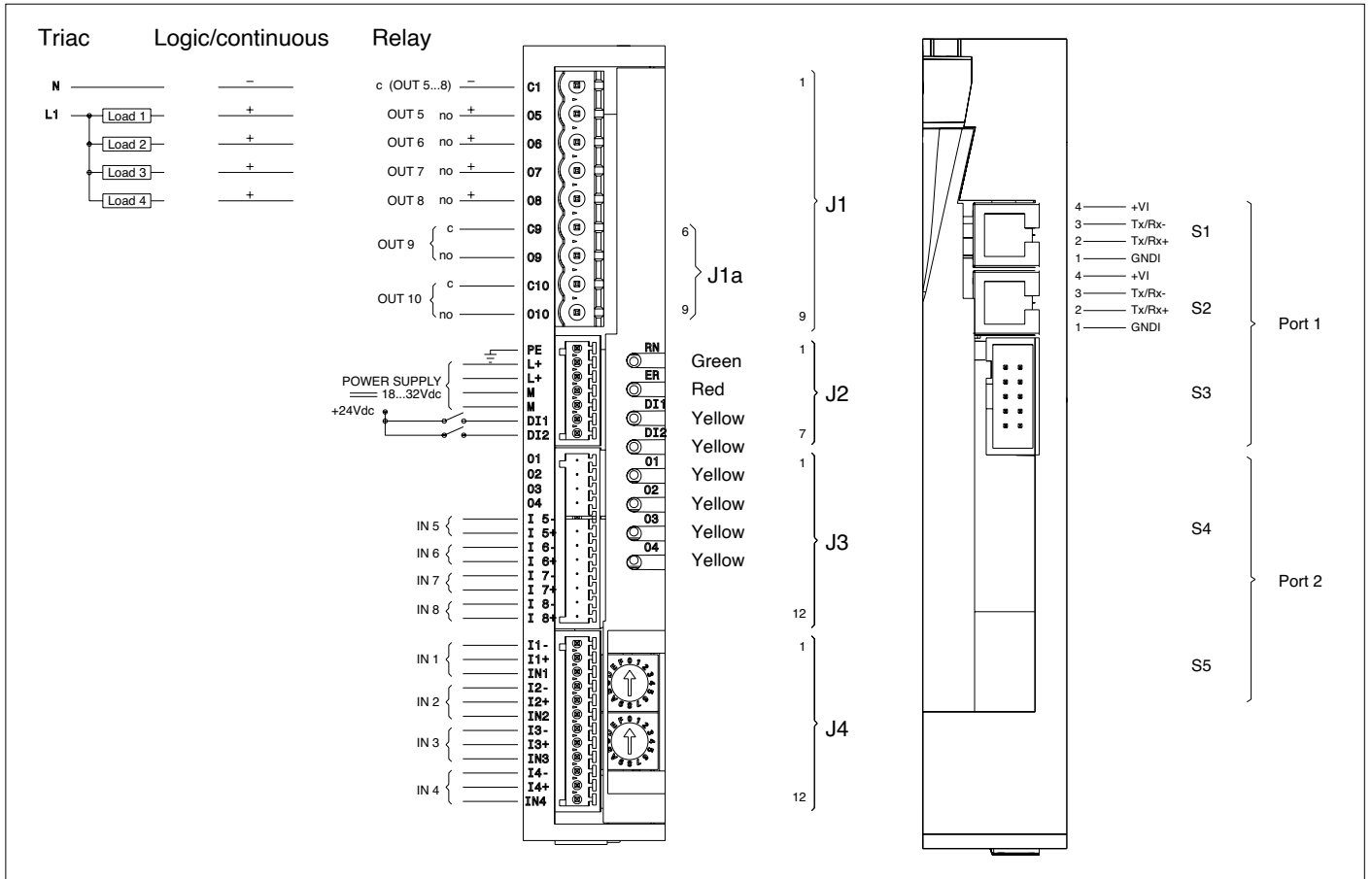
Dimensions: see dimensions and installation

Weight:

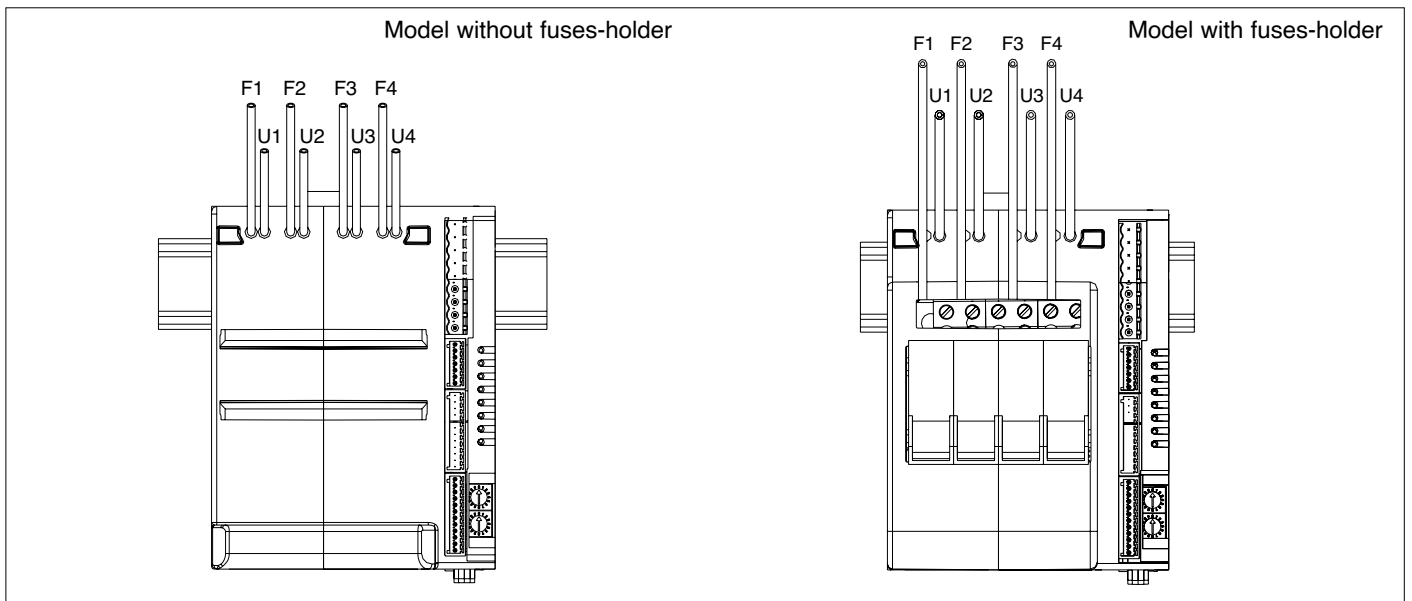
models 30/60/80 = 1200g.

models 30/60 with fuse holders = 1600g.

ELECTRICAL CONNECTIONS



power



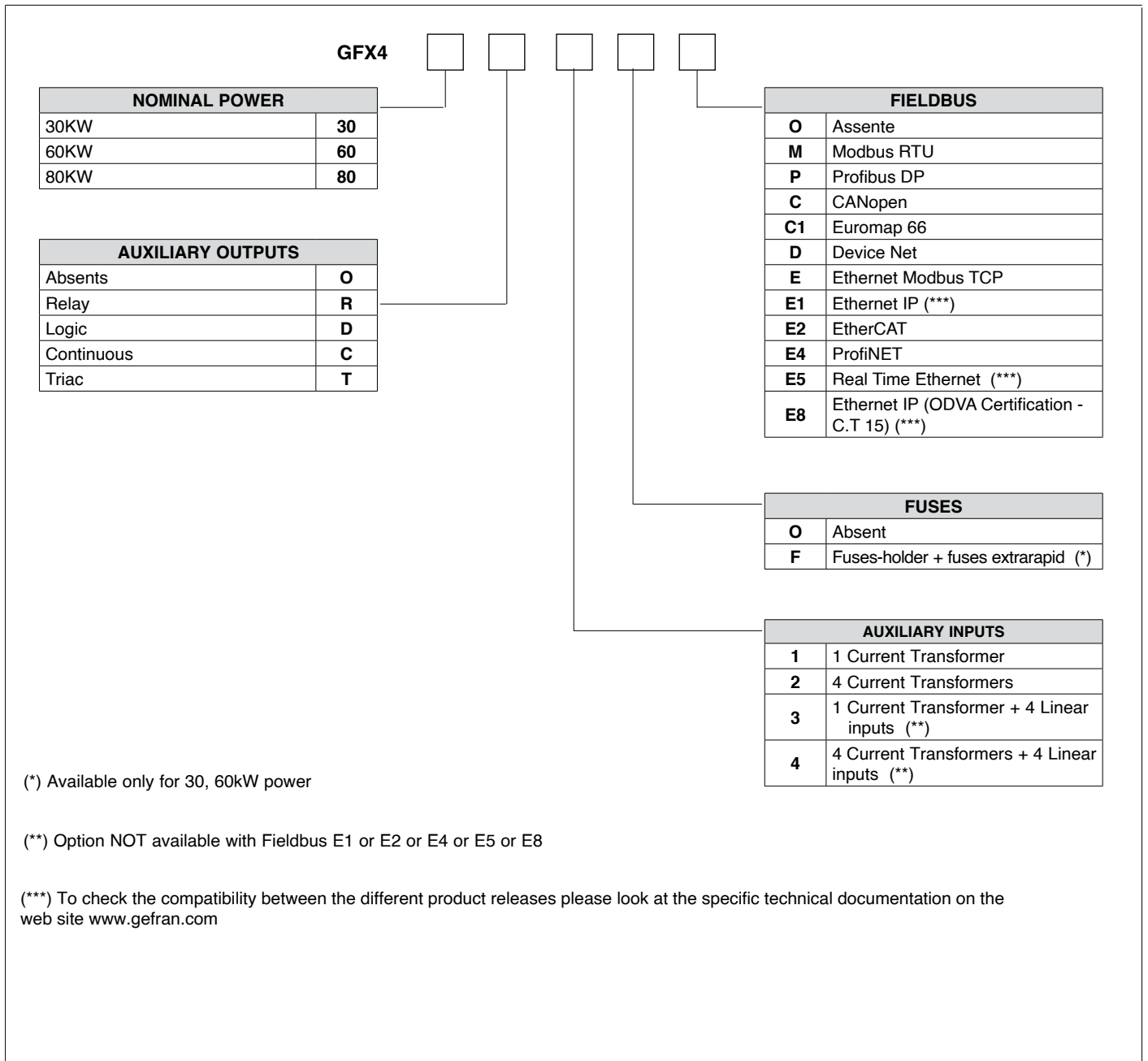
Model	30kW		60kW		80kW	
max current	16A		32A (30A)*		57A (40A)*	
rigid	0,2 - 6mm ²	24-10AWG	0,2 - 6mm ²	24-10AWG	0,5 - 16mm ²	20-6AWG
flexible	0,2 - 4mm ²	24-10AWG	0,2 - 4mm ²	24-10AWG	0,5 - 10mm ²	20-7AWG
	0,25 - 4mm ²	23-10AWG	0,25 - 4mm ²	23-10AWG	0,5 - 10mm ²	20-7AWG
	0,25 - 4mm ²	23-10AWG	0,25 - 4mm ²	23-10AWG	0,5 - 10mm ²	20-7AWG
	0,5 - 0,6Nm		0,5 - 0,6Nm		1,2 - 1,5Nm	

* UL certification

ORDER CODE

Model GFX4	Current (Amp)		Voltage (Vac)			Power (kW)		
	max for channel		range	nominal	working	total contemporary	single channel	max for single channel
30 (4x16A)	16		24...530	480	110	(4x16x110) 7	(16x110) 1,7	(1x16x110) 1,7
					230	(4x16x230) 14,7	(16x230) 3,6	(1x16x230) 3,6
					400	(4x16x400) 25,6	(16x400) 6,4	(16x400) 6,4
					480	(4x16x480) 30,7	(16x480) 7,6	(1x16x480) 7,6
60 (4x32A) (4x30A)*	32 (30)*		24...530	480	110	(4x32x110) 14	(32x110) 3,5	(32x110) 3,5
					230	(4x32x230) 29,4	(32x230) 7,3	(1x32x230) 7,3
					400	(4x32x400) 51,2	(32x400) 12,8	(1x32x400) 12,8
					480	(4x32x480) 61,4	(32x480) 15,3	(1x32x480) 15,3
80 (4x40A)	40*	57	24...530	480	110	(4x40x110) 17,6	(40x110) 4,4	(1x57x110) 62,7
					230	(4x40x230) 36,8	(40x230) 9,2	(1x57x230) 13,1
					400	(4x40x400) 64	(40x400) 16	(1x57x400) 22,8
					480	(4x40x480) 76,8	(40x480) 19,2	(1x57x480) 27,3






* Certification UL



Model	EXTRARAPID FUSES				FUSES-HOLDER ISOLATORS
	Size I ² t	Code Format	Model Code	Power Dissipated @ In	Approval Code
GFX4-IR 30 kw	16A 150 A ² s	FUS-016 10x38	FWC16A10F 338470	3,5 W	PFI-10x38 337134 UR30A@690V
GFX4-IR 60 kw	30A 675 A ² s	FUS-030 10x38	FR10GR69V30 338481	4,8 W	PFI-10x38 337134 UR30A@690V
GFX4-IR 80 kw	63A 3080 A ² s	FUS-063 22x58	FWP63A22F 338191	11 W	PFI-22x88 337223 UR80A@600V

UL508 SCCR FUSES TABLE				
Model	"Short circuit current [Arms]"	"Max fuse size [A]"	Fuse Class	"Max Voltage [VAC]"
GFX4 30	100.000	30	RK5	600
GFX4 60	100.000	30	RK5	600
GFX4 80	100.000	100	J	600

The fuses on the above table are representative of all the fuses of the same class with lower current ratings

	Conformity TC N° RUД-IT.AЛ32.b.01762
	Conformity C/UL/US File no. E243386
	The instrument conforms to the European Directives 2014/30/EU and 2014/35/EU with reference to the generic standards: EN 61326-1 (Product) EN 61010-1 (safety)
	Short Circuit Current Rating 100KA / 480V according to UL 508
	ODVA Conformant (only E8 opt)