

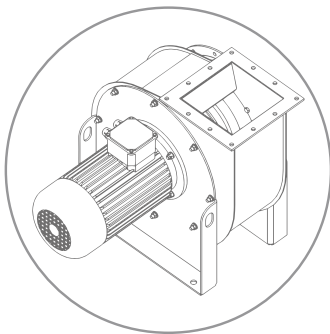
MOTOR STARTER G-START



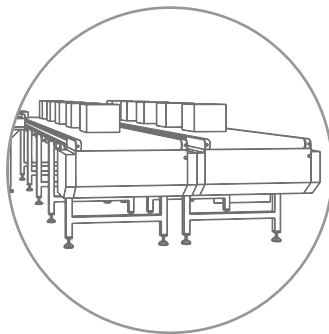
Single/Three phase motor
starter up to 7A - 500Vac



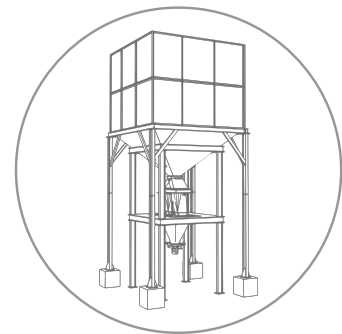
PL_e



FANS



CONVEYOR BELTS



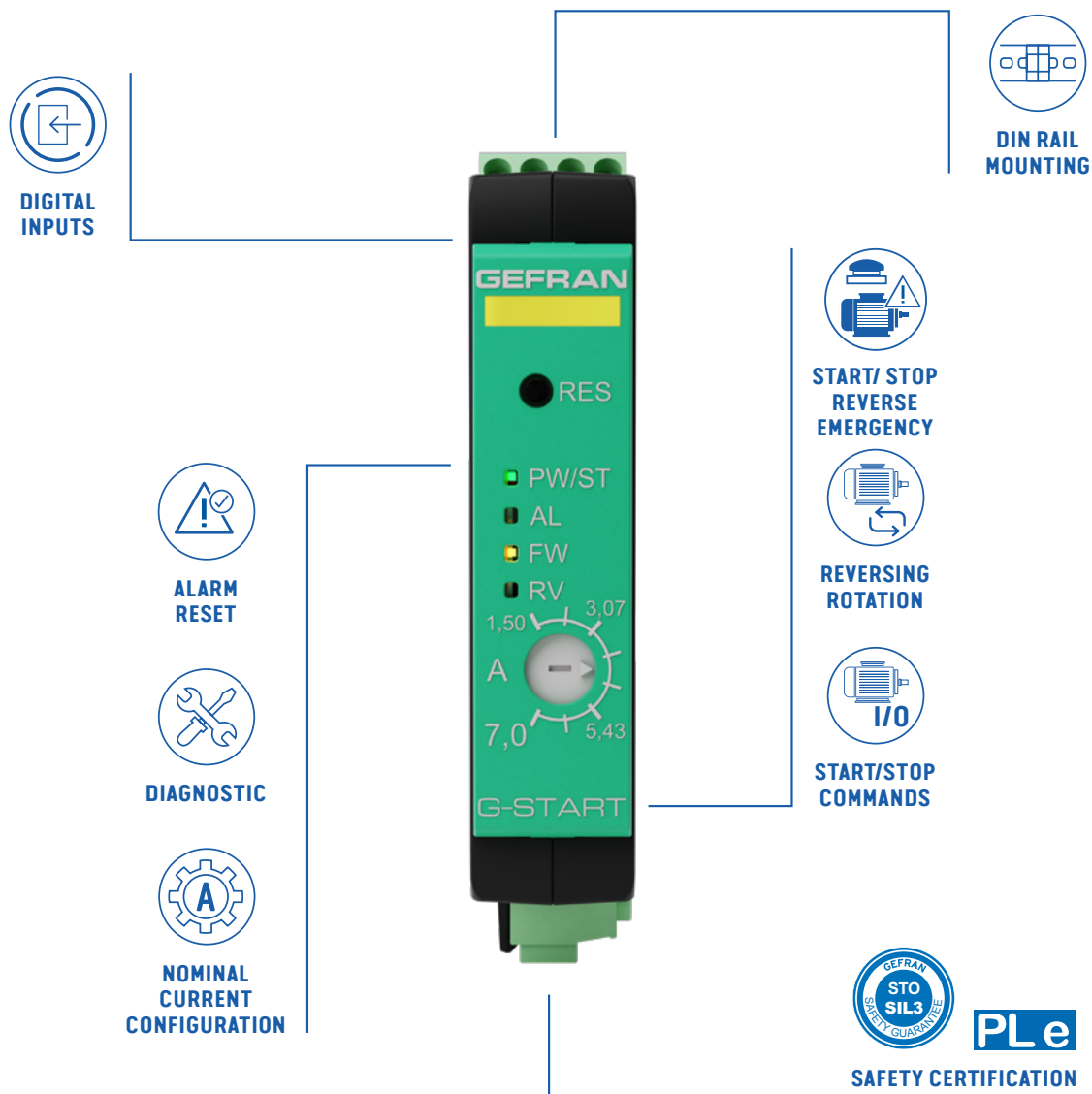
HOPPERS

GEFRAN

BEYOND TECHNOLOGY

SINGLE/THREE PHASE MOTOR STARTER

RELIABLE, COMPACT FOR SAFETY APPLICATIONS



MAIN FEATURES

NOMINAL CURRENT	0.6A	2.4A	7A
ALARMS / DIAGNOSTICS	overload - phase absence - phase unbalance		
OPTIONS	reverse control - SIL3/PL ^e safety		
4 DIGITAL INPUTS	Motor forward - Motor backward - Alarm Reset Auto/Man - External Alarm Reset		



www.gefran.com

GEFRAN
BEYOND TECHNOLOGY